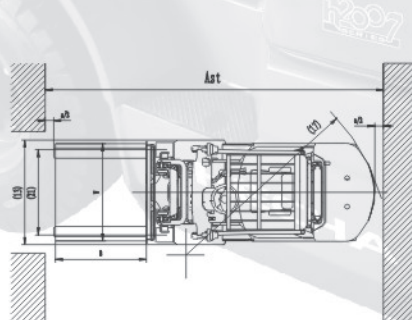
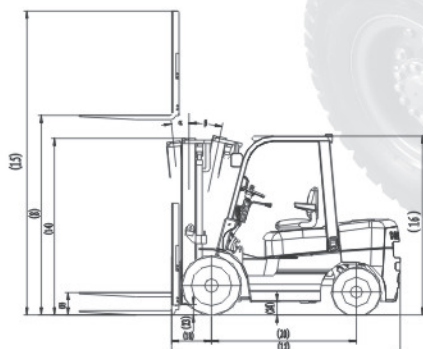


H2007 series 2.0-3.5T diesel forklift specification

1	Model	FD20T-HGB3		FD25T-HGB3		FD30T-HGB3		FD35T-HGF3		FD20T-HWA3		FD25T-HWA3		FD30T-HWB3		FD35T-HWF3				
		(FD20-HGB1)		(FD25-HGB1)		(FD30-HGB1)		(FD35-HGF1)		(FD20-HWA1)		(FD25-HWA1)		(FD30-HWB1)		(FD35-HWF1)				
2	Power type	Diesel								Diesel										
3	Rated capacity	kg		2000		2500		3000		3500		2000		2500		3000		3500		
4	Load center	mm		500		500		500		500		500		500		500		500		
5	Operator type	Seated								Seated										
6	Tyre type	Front/Rear		pneumatic								pneumatic								
7	Number of wheels (= driven)	Front/Rear		2x/2								2x/2								
8	Lifting height	mm		3000								3000								
9	Free lift height	mm		140		145		150		140		145		150		140		150		
10	Fork size	LxWxT		920x122x40		1070x122x40		1070x125x45		1070x130x45		920x122x40		1070x125x45		1070x130x45		1070x130x45		
11	Mast tilt range	F/R		6A/2								6A/2								
12	Overall Length (Without fork)	mm		2513		2583		2698		2725		2513		2583		2698		2725		
13	Overall width	mm		1150		1225		1225		1150		1225		1225		1150		1225		
14	Mast lowered height	mm		1955		1955		2070		2160		1955		1955		2070		2160		
15	Mast extended height	mm		4030		4250		3290		4030		4250		4250		3290		4030		
16	Overhead guard height	mm		2070		2090		2090		2070		2090		2090		2070		2090		
17	Turning radius (Outside)	mm		2170		2240		2400		2450		2170		2240		2400		2450		
18	Fork overhang (Wheel center to fork face)	mm		483		498		498		483		498		498		483		498		
19	Min. right angle stacking aisle width (Add load length and clearance)	mm		2640		2710		2885		2900		2640		2710		2885		2900		
20	Wheelbase	mm		1600		1700		1700		1600		1700		1700		1600		1700		
21	Tread	Front		mm		970		1000		970		1000		970		1000		970		
22		Rear		mm		970		970		970		970		970		970		970		
23	Ground clearance	Lowest		mm		110		135		145		110		135		145		110		
24		Wheelbase center		mm		115		140		140		115		140		140		115		
25	Speed	Travel	Full load		km/h		17		18		17		18		17		18			
26			No load		km/h		19.5		19.5		19.5		19.5		19.5		19.5			
27		Lifting	Full load		mm/s		570		450		380		570		450		380			
28			No load		mm/s		600		500		450		600		500		450			
29	Low erin gs	Full load		mm/s		450		420		420		450		420		420				
30		No load		mm/s		550		500		460		550		500		460				
31	Max. Drawbar Pull	Full load/No load		kg		1250/850		1650/850		1250/850		1650/850		1100/1000		1350/1000		1304/190		
32		Full load/No load		%		20/20		21/22		17/18		18/19		15/18		19/20		15/18		
33	Max. Gradeability	%		20/20		21/22		17/18		18/19		15/18		19/20		15/18		15/18		
34	Weight	Selfweight		kg		3320		3680		4280		4750		3320		3680		4280		
35		Wheel distributi on	Full load		kg		4730		5480		6455		7320		4730		5480		6455	
36			Rear		kg		590		700		825		930		590		700		825	
37		No load	Front		kg		1520		1465		1720		2040		1520		1465		1720	
38	Rear		kg		1800		2215		2560		2710		1800		2215		2560			
39	Tyres	Spec		7.00-12-12PR				28*9-15-12PR				7.00-12-12PR				28*9-15-12PR				
40		Rear		6.00-9-10PR				6.50-10-10PR				6.00-9-10PR				6.50-10-10PR				
41	Brake type	Driving brake		Hydraulic								Hydraulic								
42		Parking brake		Mechanical hand brake								Mechanical hand brake								
43	Battery	Voltage/Capacity		12/100								12/100								
44	Engine	Model		XINCHAI 498BPG				XINCHAI 498BPG				YANMAR 4TNE92				YANMAR 4TNE98				
45		Rated output/r.p.m		Kw/rpm				37/2650				45/2550				33/2450				
46		Rated torque/r.p.m		N.m/rpm				148/1800				195/1600				150/1600				
47		No. of cylinder		4				4				4				4				
48		Displacement		CC				2540				3168				2659				
49	Fuel tank capacity		L				60				70				60					
50	Transmission	Model type		Power shift (Manual)								Power shift (Manual)								
51		Stage		FWD/RVS				1A (2/2)				1A (2/2)				1A (2/2)				
52	Operating pressure		Mpa				17.5				17.5				17.5					

1. The specification in the table are for standard models only. For further information please contact us.
2. Specification are subject to change without notice.



a = 200mm safety clearance
AST=a-(L1+L11)+L12+L13

